

**Stop
Plate**

**4 12" Plates
1 18"x24" Rectangle
Stop Plate**

7,0 m

32 m

2,0 m

7,0 m

18,5 m

2,0 m

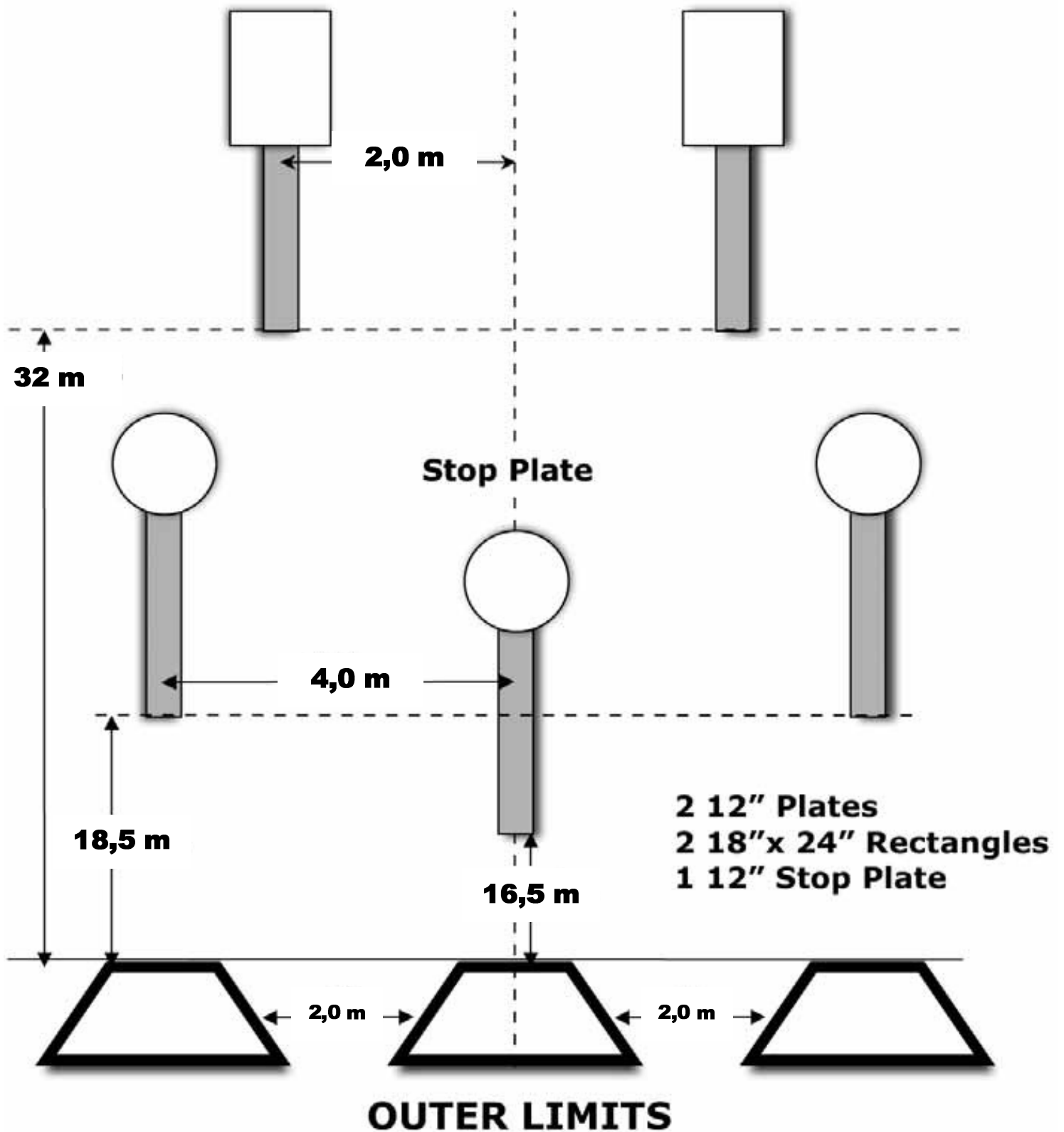
14 m

4,0 m

9,0 m

7,5 m

SPEED OPTION



Outer Limits will have three 4' x 4' shooting boxes. The shooter will start on their weak side shooting box and will engage the 20 and 35 yard plates on the weak side of the center line, move to the middle shooting box and engage the remaining two plates and stop plate. The distance between each of the three boxes will be 6'. Note: Only two of the three boxes will be used by each shooter. Depending on whether you are right or left handed, you will begin in the appropriate outside box and finish in the middle box.